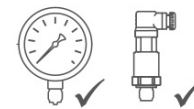


Pressure Gauges / Diaphragm Seals / Diaphragm Group Types / DS0568 Cuff Connection

CONSTRUCTIVE PROPERTIES

	STANDARD	OPTIONAL
Scale Unit	bar	-
Scale Range (PN)	0/2,5 0/4 0/6 0/10 0/16 0/25 0/40	
Upper Body Material	AISI-316L	Hastelloy C276
Material of Membrane	AISI-316L	Hastelloy C276
Instrument Connection	G 1/2"	-
Assembling	Direct Connection	Capillary Clamp (Max. 4 m.) Cooling Tower Capillary with SS armour covered (Max. 4 m.)
Process Connection	Cuff Connection Clamp Connections	-
Filling Liquid	FDA Approved Oil	Neobee
Sealing	Viton	PTFE
Accuracy Class % (Will be added to instrument accuracy)	±0,5% Direct Mounting	±1% Capillary Mounting

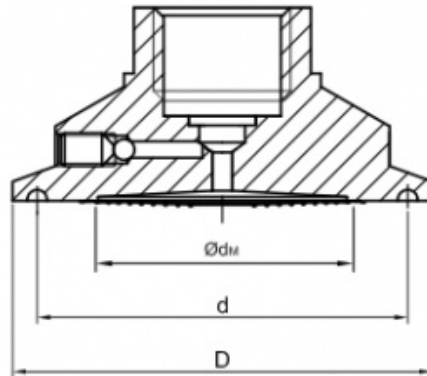


DS0568
Cuff Connection

USAGE PROPERTIES

Storage Temperature	-40 ... +70 °C	
Process Temperature	-45/+150°C	
Leakage Test	Helium Sniffer Leakage Test	
Conformity	3-A NACE MR 1075 Oxygen Service DIN ANSI EHDG	

www.Laheghi.com



Clamp connection PN 40 bar				
DN	$\varnothing dm$	d	D	Model #
1"	23	43	50	DS 0568 33
1 1/2"	34	43	50	DS 0568 48
2"	42	56,5	64	DS 0568 59
2 1/2"	57	70,5	77,5	DS 0568 75
3"	57	83,5	91	DS 0568 88

Model No: DS 0568